

Random Generator prh-ZG4-W

ZG4-W is the whitish design of the random generator ZG-4. A pushbutton can be connected to two internal terminals to initiate a random calculation by ZG4-W (several pushbuttons with housing are optional available). Furthermore a potential-free contact of a card-reader, light-barrier, pressure-sensitive mat, motion sensor or also other detectors can activate the random arbitration of the ZG4-W.

Following electrical terminals are available in ZG4-W:

- 2x230 volts ac to feed ZG4-W (internal power supply)
 - 3 x output contact signalling the state „red“
 - 3 x output contact signalling the state „green“
 - 2 x input for potential-free contact to initiate one random decision of the ZG4-W
 - 2 x reset the timer of state „red“ (special mode „9“)
- If the random decision is actual „red“ (that means „do a control“), an acoustical signal is outputted additional to the red pictograph, the volume can be reduced by turning an internal potentiometer. The random parameters „random rate“, „timeout red“ and „timeout green“ are adjustable with four internal coded (BCD) rotary switches (0-9).

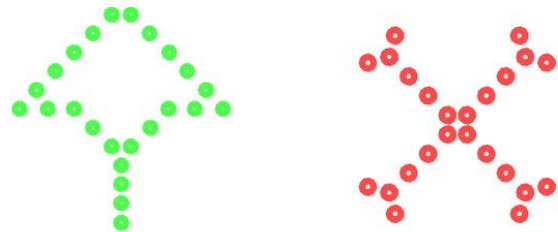
Further features of ZG4-W:

- * Convenient housing (wetness protection german IP65) with hinged transparent front
- * Built-in housing for the electrical terminals (sealing is prepared)
- Option 1 : Vandal-proof pushbutton (stainless steel) with aluminium housing.
- Prices and more see latest price list.

HLUBEK-electronic
Ing.-Bureau Dipl.-Ing. P.R. Hlubek
Mittelstr. 14 56307 Duerrholz
Ust.Id.: DE 149 461 045
WEEE-Reg.Nr.: DE 826 350 36
www.hlubek.de
prh@hlubek.de
Tel. 02684-6205 Fax. 02684-6291



Front view ZG4-W



Pictograph "green arrow" (pass without control)

Pictograph "red cross" (do a control)

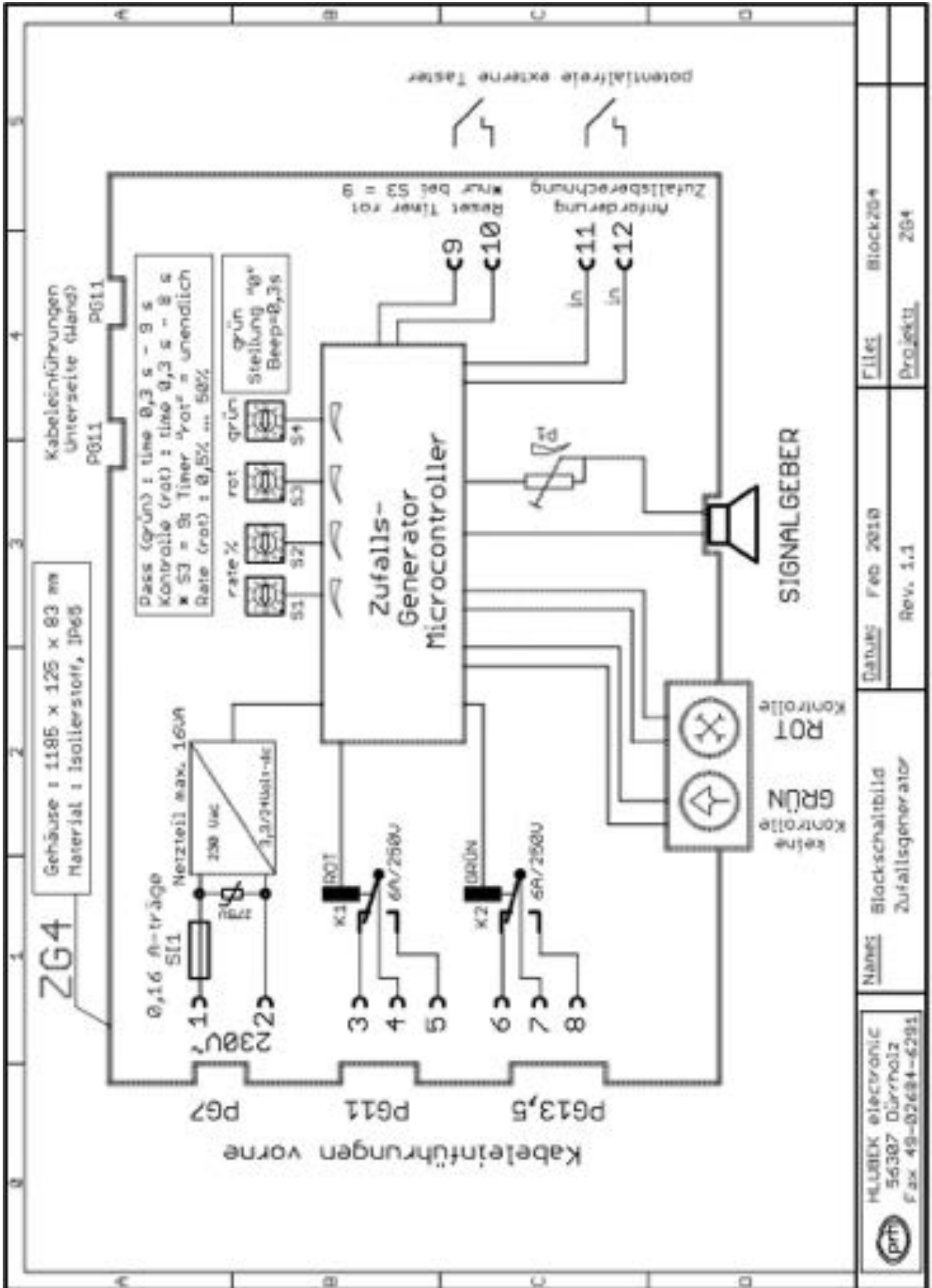


Adjustable parameters by BCD rotary switches



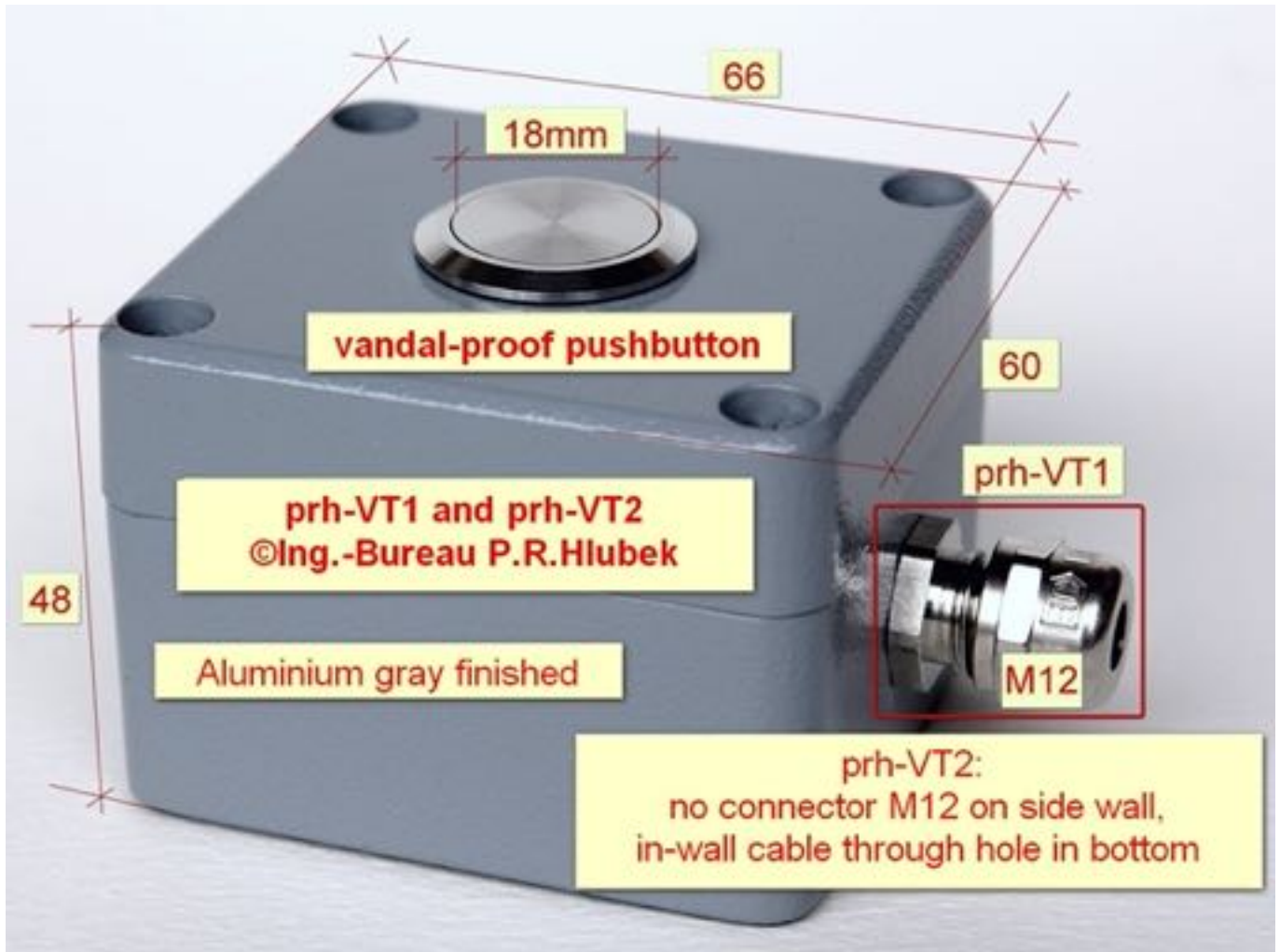
Electrical terminals of prh-ZG4

Random Generator prh-ZG4-W



Random Generator prh-ZG4-W

Option 1: Vandal-proof pushbutton



Pushbutton:

Stainless steel, Diameter of movable part = 18mm, Swing = 3mm

Mechanical lifetime: 1 Mio. cycles of operation

IP-Rating front protection: IP65 and IP67, as per IEC 60529

Impact resistance: IK10, as per IEC 62262

Working temperature range: -30°C ... +70°C

Housing: Aluminium, light gray finished, 2 hidden holes for wall mounting

Option VT1: cable screw connection M12 for mounting on side wall (see above), clamping range 3...6mm, galv. nickelized, IP68 until 5bar.

Option VT2: Cable connection through bottom hole (hidden cable in wall)

Weight: 230 g